
INSTRUCTIONS

IMPORTANT SAFEGUARDS

When using electrical equipment, basic safety precautions should always be followed including the following:

1. **READ AND FOLLOW ALL SAFETY INSTRUCTIONS**
2. Disconnect power before performing work on electrical equipment.
3. Do not use outdoors.
4. Do not let power cords touch hot surfaces and do not mount near gas or electric heaters.
5. Use caution when servicing batteries. Battery acid can cause burns to skin and eyes. If acid is spilled on skin or eyes, flush with fresh water and contact a physician immediately.
6. Equipment should be mounted in locations and at heights where unauthorized personnel will not readily subject it to tampering.
7. The use of accessory equipment not recommended by Beghelli Canada Inc., may cause an unsafe condition, and will void the unit's warranty.
8. Do not use this equipment for other than its intended purpose.
9. Servicing of this equipment should be performed by qualified service personnel.
10. **SAVE THESE INSTRUCTIONS!**

INSTALLATION

WALL MOUNT - SINGLE FACE:

1. Extend unswitched 24 hour AC supply of rated voltage to junction box or appropriate wiring (supplied by others). Leave at least eight (8) inches of slack wire. The circuit should not be energized at this time.
2. Remove the faceplate and slide the pictogram out if necessary. (Figure 2).
3. Remove the universal canopy kit.
4. Knock out the appropriate mounting pattern and/or wire pass-thru hole on the sign back plate to fit the junction box or wiring connector being used (supplied by others).
5. Bring wires through the back of the sign and mount the sign securely in place. Screw directly to junction box if possible.
6. Connect AC supply per diagram provided (Figure 5). **Insulate unused wire!**
CAUTION! - Failure to insulate unused wire may result in a shock hazard or unsafe condition as well as equipment failure.
7. Connect remote load wires (if any) to lamp output terminals. Route all wires and secure them in place.
8. Uncoil the wire lead(s) from the Positive battery terminal (+) and connect to the positive terminal connector on the circuit board (Figure 3).
9. Route wires and secure them in place.
10. Replace the faceplate.
11. Turn on the AC voltage supply.

CEILING/END MOUNT - SINGLE OR DOUBLE FACE:

1. Follow steps 1 to 3 of Wall Mounting instructions above.
2. If double face is required then remove the backplate cover screw and slide the backplate down and out from frame. Signs that are specified double face will already have the second/rear faceplate installed.
3. On the top and side of the exit there are three (3) holes for the canopy - two (2) for the mounting screws and one (1) wire pass-thru hole. Knock out the three appropriate canopy mounting holes for your installation.
4. Secure the canopy to the sign using the supplied 1 inch screws and washer nuts and the snap wire pass-thru hole plastic bushing into the wire pass-thru hole in the centre of the canopy (Figure 4).
5. Bring wires through the wire pass-thru and connect AC supply.
6. Secure the unit to the wall or ceiling using the supplied 1 1/2 inch screws. Screw directly to junction box if possible. A universal spider plate is supplied to allow for unit placement adjustment or connection to a variety of electrical boxes (Figure 4).
7. Connect remote load wires (if any) to lamp output terminals. Route all wires and secure them in place.
8. Uncoil the wire lead(s) from the Positive battery terminal (+) and connect to the positive terminal connector on the circuit board (Figure 3).
9. For double face signs install the second/rear faceplate.
10. Route wires and secure in place.
11. Turn on the AC voltage supply.

Figure 1

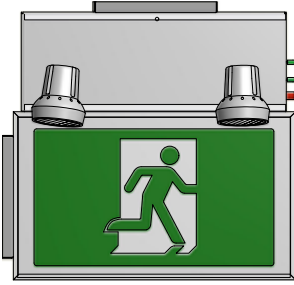


Figure 2

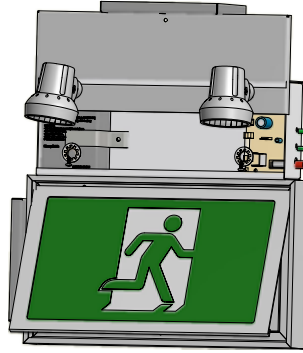


Figure 3



Figure 4

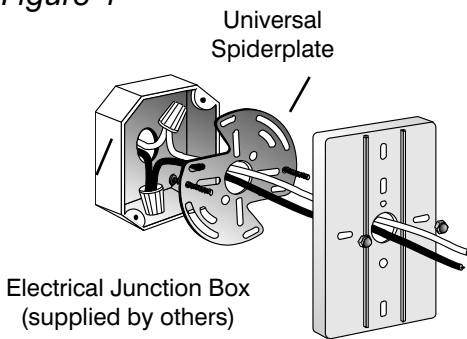
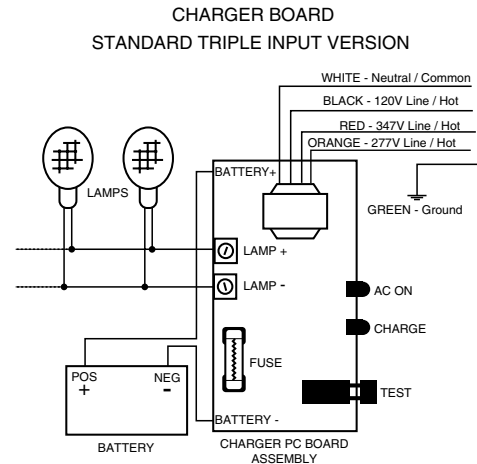


Figure 5



MAINTENANCE

1. Code requires that the equipment be tested every 30 days for 30 seconds, and that written records be maintained. Further, the equipment is to be tested once a year for 90 minutes duration as per Code. The equipment is to be repaired whenever the equipment fails to operate as intended during the duration test. Written records of test results and any repairs made must be maintained. Beghelli Canada Inc. strongly recommends compliance with all Code requirements.
 2. The lamps listed herein when used according to the instructions with this unit are in accordance with the requirements of CSA Standard C22.2, No. 141 – Unit Equipment for Emergency Lighting.
 3. Clean exit face(s) on a regular basis.
- NOTE: The servicing of any parts should be performed by qualified service personnel only. The use of replacement parts not furnished by Beghelli Canada Inc., may cause equipment failure and will void the warranty.

SAVE THESE INSTRUCTIONS